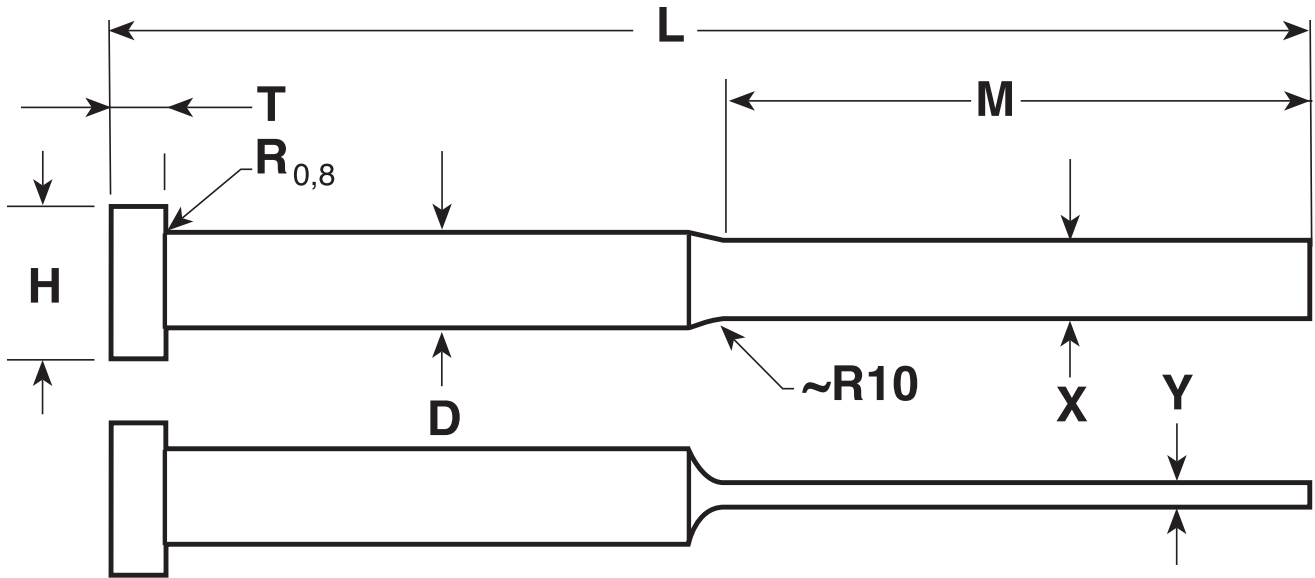




FAXABLE QUOTE FORM BLADE EJECTORS (metric)



Size	Tolerance	✓	Special Tolerance	Quantity
D =	-.006 -.017	<input type="checkbox"/>	or <input type="text"/>	<input type="text"/>
L =	+1,0 -0,0	<input type="checkbox"/>	or <input type="text"/>	Material <input type="text"/>
T =	+0,00 -0,05	<input type="checkbox"/>	or <input type="text"/>	Hardness/Heat Treatment <input type="text"/>
H =	+0,0 -0,2	<input type="checkbox"/>	or <input type="text"/>	Required by <input type="text"/>
M =	+2,0 +1,0	<input type="checkbox"/>	or <input type="text"/>	<input type="text"/>
X =	+0,000 -0,015	<input type="checkbox"/>	or <input type="text"/>	<input type="text"/>
Y =	+0,000 -0,015	<input type="checkbox"/>	or <input type="text"/>	<input type="text"/>

Company:

Address:

City: State/Prov.: Zip/Postal Code:

Phone: Fax: Email:

Contact Name: Reference #:

DMS (Windsor) Fax: 800-845-3807	DMS (Schaumburg) Fax: 847-885-6075 800-367-4199	DMS (Fountain Valley) Fax: 714-751-3861 800-953-9561	DMS (Taunton) Fax: 800-845-3807
---	--	---	---